

CLARKE®



PARTS WASHER MODEL NO: CW2D

PART NO: 7630910

OPERATING & MAINTENANCE INSTRUCTIONS

UK
CA | CE



ORIGINAL INSTRUCTIONS

DL0822 Rev 7

INTRODUCTION

Thank you for selecting this CLARKE Parts Washer.

Before using the product, be sure to read these instructions thoroughly. In doing so you will ensure the safety of yourself and of others around you, and you can look forward to the product giving you long and satisfactory service.

GUARANTEE

This CLARKE product is guaranteed against faulty manufacture for a period of 12 months from the date of purchase. Please keep your receipt as proof of purchase.

This guarantee is invalid if the product is found to have been abused or tampered with in any way, or not used for its intended purpose.

Faulty goods should be returned to their place of purchase, no product can be returned to us without prior permission.

This guarantee does not effect your statutory rights.

SPECIFICATIONS

Motor:	230V, 1ph, 50Hz
Maximum Pump Rate	90 L/hr
Maximum Tank Capacity:	19 L
Fluid Capacity:	10 L
Dimensions:	(L x W x H) 460 x 340 x 230 mm (Lid Closed)
Weight:	6.5 kg

- Accepts all common degreasing fluids.
- Fusible link automatically closes lid in case of fire.
- Easy maintenance solvent pump.

SAFETY PRECAUTIONS



WARNING: AS WITH ALL MACHINERY, THERE ARE CERTAIN HAZARDS INVOLVED WITH THEIR OPERATION AND USE. EXERCISING RESPECT AND CAUTION WILL CONSIDERABLY LESSEN THE RISK OF PERSONAL INJURY. HOWEVER, IF NORMAL SAFETY PRECAUTIONS ARE OVERLOOKED OR IGNORED, PERSONAL INJURY TO THE OPERATOR OR DAMAGE TO PROPERTY MAY RESULT.

1. ALWAYS learn the machine's applications, limitations, and the specific potential hazards peculiar to it. Read and become familiar with the entire operating manual.
2. ALWAYS wear suitable protective clothing, gloves and goggles, manufactured to the latest European Safety Standards. Everyday eye glasses are not safety glasses.
3. ALWAYS clean off any accidental splashes of degreaser on the skin. Seek medical attention immediately if necessary.
4. ALWAYS follow degreaser manufacturer's instructions carefully.
5. ALWAYS check for damage before using the washer. Any damaged part, should be checked to ensure that it will operate properly and perform its intended function. Any damage should be properly repaired or the part replaced. If in doubt, DO NOT use. Consult your local CLARKE dealer.
6. ALWAYS disconnect the washer from the power supply before carrying out any maintenance.
7. ALWAYS keep the work area clean. Cluttered areas and benches invite accidents. Mop up accidental spillages of degreaser immediately.
8. ALWAYS ensure that adequate lighting is available. A minimum intensity of 300 lux should be provided. Ensure that lighting is placed so that you will not be working in your own shadow.
9. ALWAYS keep children away. All visitors should be kept a safe distance from the work area, especially whilst operating the machine.
10. ALWAYS maintain machine in top condition. Keep the washer clean for the best and safest performance.

11. ALWAYS ensure the switch is off before plugging in to mains. Avoid accidental starting.
12. ALWAYS concentrate on the job in hand, no matter how trivial it may seem. Be aware that accidents are caused by carelessness due to familiarity.
13. ALWAYS keep your proper footing and balance at all times don't over reach. For best footing, wear rubber soled footwear. keep floor clear.

ELECTRICAL CONNECTIONS




WARNING! READ THESE ELECTRICAL SAFETY INSTRUCTIONS THOROUGHLY BEFORE CONNECTING THE PRODUCT TO THE MAINS SUPPLY.

Before switching the product on, make sure that the voltage of your electricity supply is the same as that indicated on the rating plate. This product is designed to operate on 230VAC 50Hz. Connecting it to any other power source may cause damage.

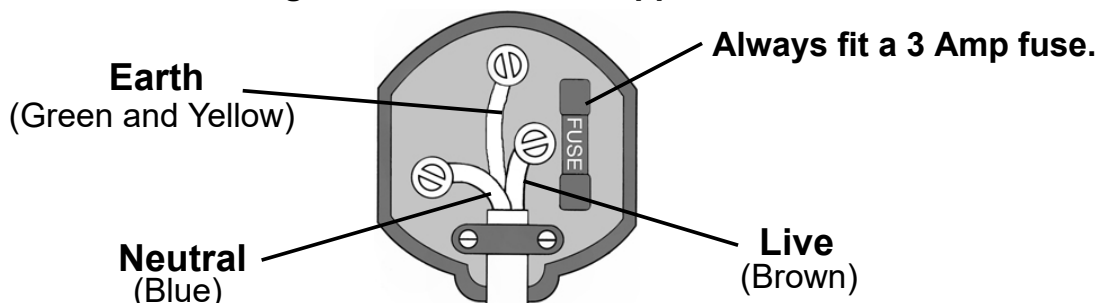
This product may be fitted with a non-rewireable plug. If it is necessary to change the fuse in the plug, the fuse cover must be refitted. If the fuse cover becomes lost or damaged, the plug must not be used until a suitable replacement is obtained.

If the plug has to be changed because it is not suitable for your socket, or due to damage, it should be cut off and a replacement fitted, following the wiring instructions shown below. The old plug must be disposed of safely, as insertion into a mains socket could cause an electrical hazard.

If the colours of the wires in the power cable of this product do not correspond with the markings on the terminals of your plug, proceed as follows.

- The **Blue** wire must be connected to the terminal which is marked **N** or coloured **Black**.
- The **Brown** wire must be connected to the terminal which is marked **L** or coloured **Red**.
- The **Yellow/Green** wire must be connected to the terminal which is marked **E** or  or coloured **Green**.

Plug must be BS1363/A approved.



Ensure that the outer sheath of the cable is firmly held by the clamp

We strongly recommend that this machine is connected to the mains supply via a Residual Current Device (RCD).

If in doubt, consult a qualified electrician. DO NOT attempt any repairs yourself

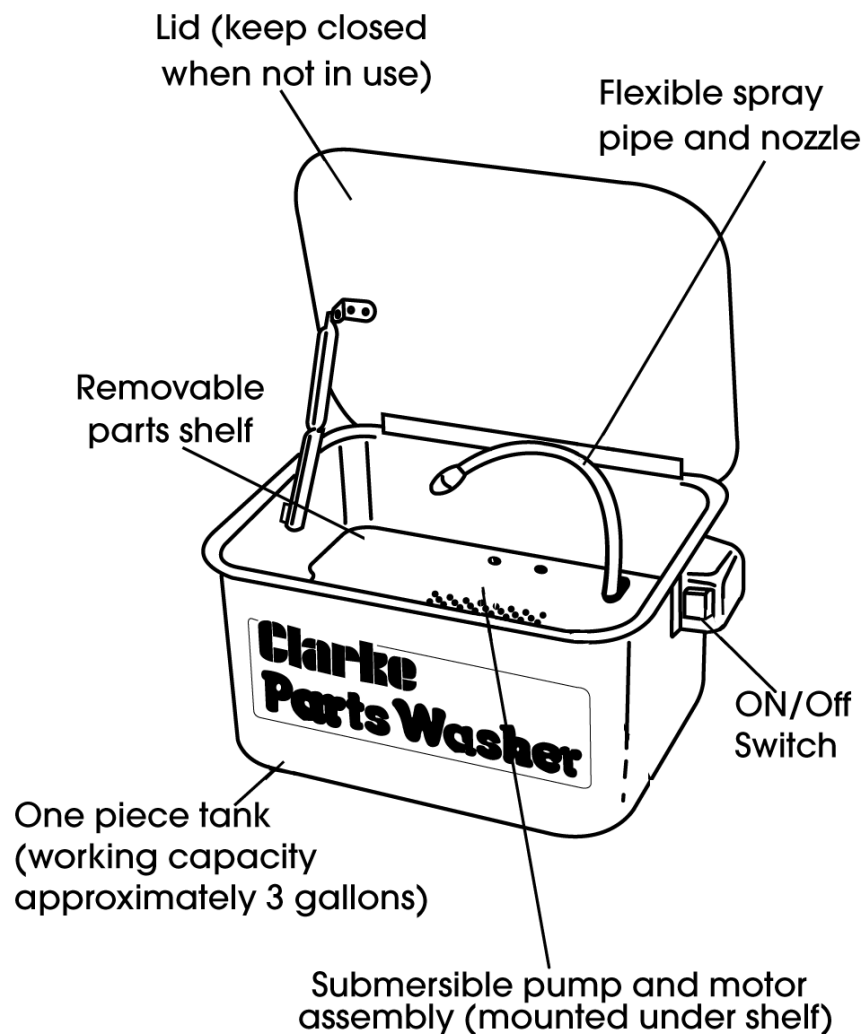
INSTALLATION & ASSEMBLY

1. Choose a firm, flat and level surface to site the machine on, in a well ventilated area and away from any naked flames.
2. Ensure all packaging is removed before filling with parts washer fluid.

OPERATION

1. Fill only with a non-flammable degreaser or cleaning agent, such as Clarke parts washer fluid, to just below the level of the parts shelf. DO NOT fill with flammable solvents such as paraffin, thinners, etc.
2. Open the lid, switch the pump on and hold the part to be cleaned under the nozzle, slowly rotate the component until clean.

3. When clean, leave to drain on the tray or in a small component container until dry.



4. Switch off the pump and close the lid and disconnect the power supply.
5. Remove gloves and goggles, store safely.

NOTE: Any spillages should be mopped up immediately, so as not to cause a safety hazard.

IMPORTANT: The lid stay incorporates a safety device in the form of a fusible link, which closes the lid in the event of fire. The link is non-resetting and must be replaced should it be activated.

6. Do not allow the level of liquid in the parts washer to fall below the pump inlet, as damage to the pump can result.

CONSUMABLES

This parts washer is suitable for use with Clarke water-based parts washer fluid, either;

Concentrated; P/No: 3051063 (5 Litre)

P/No: 3051065 (25 Litre) - or

Ready to Use; P/No: 3051064 (5 Ltr)

P/No: 3051066 (30 Ltr)

These products are non-flammable and bio-degradable.

We do not recommend the use of solvent-based parts washer fluids such as P/Nos: 3051115 and 3051120 with this parts washer.

ENVIRONMENTAL PROTECTION

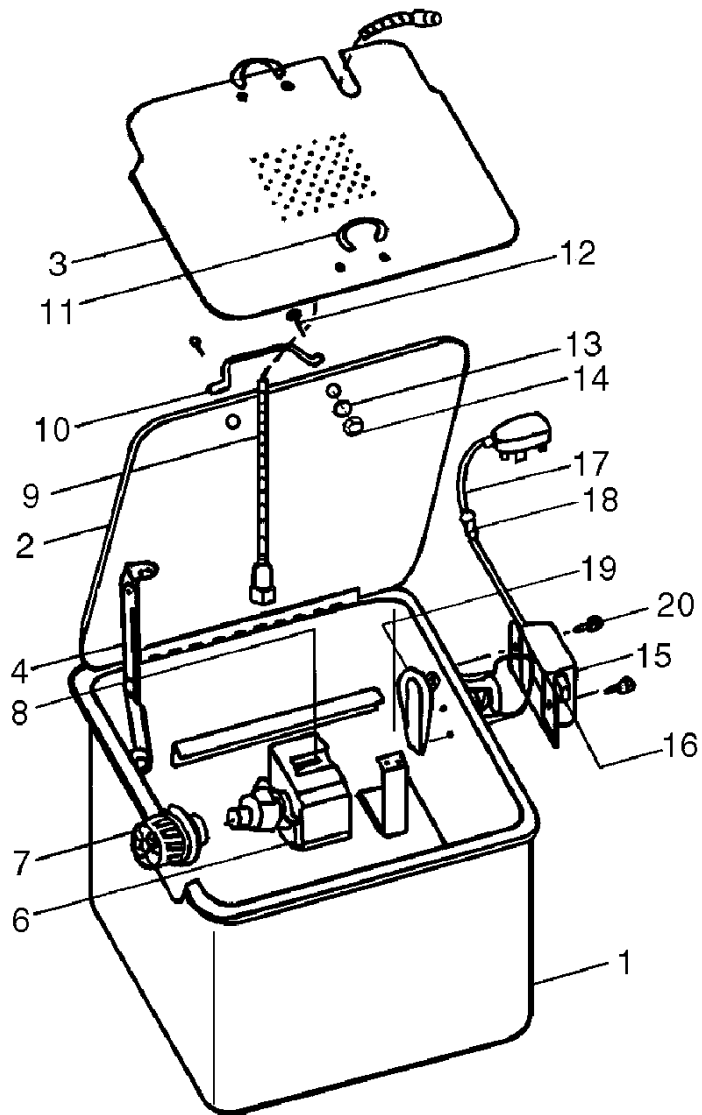
Do not dispose of this product or damaged components with general household waste. All tools, accessories and packaging should be sorted, taken to a recycling centre and disposed of appropriately.

One of the most damaging sources of environmental pollution is oil products. Never throw away used oil with domestic refuse or flush it down a sink or drain. Collect any oil in a leak proof container and take it to your local waste disposal site.

Through purchase of this product, the customer is taking on the obligation to deal with the WEEE in accordance with the WEEE regulations in relation to the treatment, recycling, recovery & environmentally sound disposal of the WEEE.

In effect, this means that this product must not be disposed of with general household waste but according to the laws governing Waste Electrical and Electronic Equipment (WEEE) at a recognised disposal facility.

PARTS DIAGRAM



No	Description	No	Description
1	Tank	10	Plastic Plate
2	Lid	11	Screw M5 x 12
3	Removable Work Shelf	12	Nut M5
4.	Lid Stay c/w Fusible Link	13	Cover
5	Safety Plate	14	Screw M4 x 12
6	Pump	15	Switch Box Cover
7	Rivet	16	On/Off Switch
8	Pump Holder	17	Stain Relief
9	Flexible Pipe	18	Power Cable c/w Plug

DECLARATION OF CONFORMITY - UKCA



Clarke[®]
INTERNATIONAL

Hemnall Street, Epping, Essex CM16 4LG

DECLARATION OF CONFORMITY

This is an important document and should be retained.

We hereby declare that this product(s) complies with the following statutory requirement(s):

Electrical Equipment (Safety) Regulations 2016

Electromagnetic Compatibility Regulations 2016

Supply of Machinery Regulations 2008

The Restriction of the Use of Certain Hazardous Substances in Electrical and Electronic Equipment Regulations 2012

The following standards have been applied to the product(s):

EN 60204-1:2018, EN 60335-1:2012 + A11:2014 + A13:2017 + A1:2019 + A2:2019 + A14:2019,

EN 60335-2-2:2010 + A11:2012 + A1:2013, EN 55014-1:2017 + A11:2020, EN 55014-2:2015,

EN IEC 61000-3-2:2019, EN 61000-3-3:2013 + A1:2019.

The technical documentation required to demonstrate that the product(s) meet(s) the requirement(s) of the aforementioned legislation has been compiled and is available for inspection by the relevant enforcement authorities.

The UKCA mark was first applied in: 2022

Product Description: Bench Mounted Parts Washer

Model number(s): CW2D

Serial / batch Number: N/A

Date of Issue: 08/08/2022

Signed:

J.A. Clarke

Director

DECLARATION OF CONFORMITY - CE



Clarke[®]
INTERNATIONAL

Fitzwilliam Hall, Fitzwilliam Place, Dublin 2

DECLARATION OF CONFORMITY

This is an important document and should be retained.

We hereby declare that this product(s) complies with the following directive(s):

- 2014/35/EU *Low Voltage Equipment Directive*
- 2014/30/EC *Electromagnetic Compatibility Directive.*
- 2006/42/EC *Machinery Directive*
- 2011/65/EU *Restrictions of the Use of Certain Hazardous Substances in Electrical and Electronic Equipment (RoHS) Directive*

The following standards have been applied to the product(s):

- EN 60204-1:2018, EN 60335-1:2012 + A11:2014 + A13:2017 + A1:2019 + A2:2019 + A14:2019,*
- EN 60335-2-2:2010 + A11:2012 + A1:2013, EN 55014-1:2017 + A11:2020, EN 55014-2:2015,*
- EN IEC 61000-3-2:2019, EN 61000-3-3:2013 + A1:2019.*

The technical documentation required to demonstrate that the product(s) meet(s) the requirement(s) of the aforementioned directive(s) has been compiled and is available for inspection by the relevant enforcement authorities.

The CE mark was first applied in: 2022

Product Description: Bench Mounted Parts Washer
Model number(s): CW2D
Serial / batch Number: N/A
Date of Issue: 08/08/2022

Signed:

J.A. Clarke
Director

A SELECTION FROM THE VAST RANGE OF

Clarke®

QUALITY PRODUCTS



AIR COMPRESSORS

From DIY to industrial, Plus air tools, spray guns and accessories.

GENERATORS

Prime duty or emergency standby for business, home and leisure.

POWER WASHERS

Hot and cold, electric and engine driven - we have what you need

WELDERS

Mig, Arc, Tig and Spot. From DIY to auto/industrial.

METALWORKING

Drills, grinders and saws for DIY and professional use.

WOODWORKING

Saws, sanders, lathes, mortisers and dust extraction.

HYDRAULICS

Cranes, body repair kits, transmission jacks for all types of workshop use.

WATER PUMPS

Submersible, electric and engine driven for DIY, agriculture and industry.

POWERTOOLS

Angle grinders, cordless drill sets, saws and sanders.

STARTERS/CHARGERS

All sizes for car and commercial use.

PARTS & SERVICE: 0208 988 7400

Parts Enquiries

Parts@clarkeinternational.com

Servicing & Technical Enquiries

Service@clarkeinternational.com

SALES: UK 01992 565333 or Export 00 44 (0)1992 565335

Clarke INTERNATIONAL Hemnall Street, Epping, Essex CM16 4LG
www.clarkeinternational.com