

ClearLike®

DUST SCREEN

Model No: CDD1

Part No: 6471500

PARTS



FIXING INSTRUCTIONS

1. Before use, unfold the plastic sheet and allow the creases to fall out
2. Tape the plastic sheet to the wall or door frame using the masking tape supplied.
3. Remove the paper backing from the zip and place it down the middle of the doorway.

NOTE: We suggest sticking one end down first and then removing the backing paper gradually smoothing the zip down as you go.
Use a straight edge to keep the zip as straight as possible.

4. Open the zip and use a sharp pair of scissors to cut through the plastic sheet.



NOTE: Leave 200 mm of unbroken plastic sheet at the top of the doorway.



5. Open and close the zip as required.

SPECIFICATION

Plastic Sheet 2200 mm x 1200 mm

Tape 30 mm x 10m

Zip 2200 mm

Weight 380 g

A SELECTION FROM THE VAST RANGE OF

Clarke®

QUALITY PRODUCTS

AIR COMPRESSORS

From DIY to industrial, Plus air tools, spray guns and accessories.

GENERATORS

Prime duty or emergency standby for business, home and leisure.

POWER WASHERS

Hot and cold, electric and engine driven - we have what you need

WELDERS

Mig, Arc, Tig and Spot. From DIY to auto/industrial.

METALWORKING

Drills, grinders and saws for DIY and professional use.

WOODWORKING

Saws, sanders, lathes, mortisers and dust extraction.

HYDRAULICS

Cranes, body repair kits, transmission jacks for all types of workshop use.

WATER PUMPS

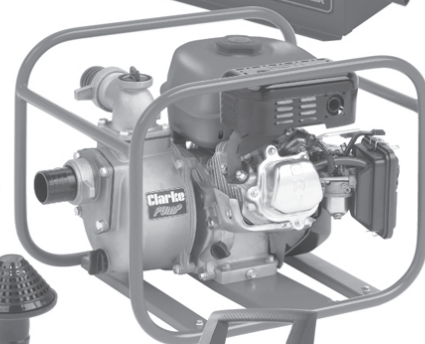
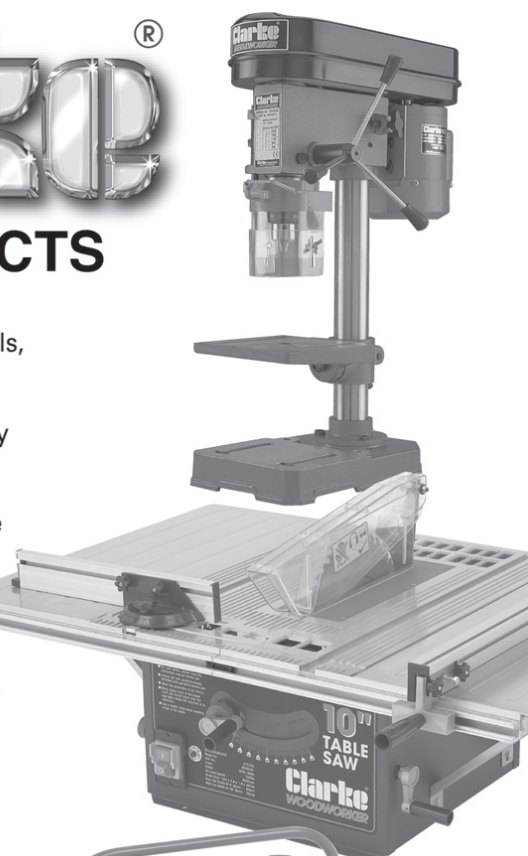
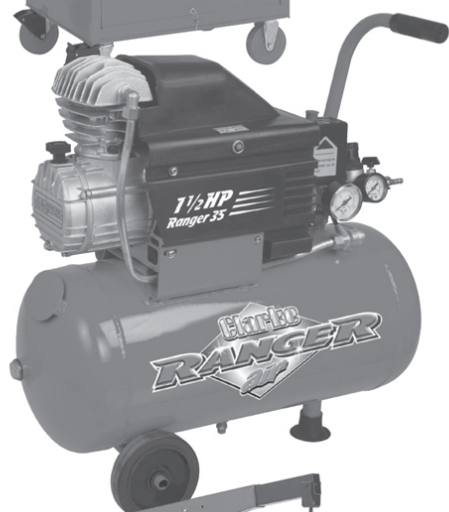
Submersible, electric and engine driven for DIY, agriculture and industry.

POWER TOOLS

Angle grinders, cordless drill sets, saws and sanders.

STARTERS/CHARGERS

All sizes for car and commercial use.



PARTS & SERVICE: 0208 988 7400

E-mail: Parts@clarkeinternational.com or Service@clarkeinternational.com

SALES: UK 01992 565333 or Export 00 44 (0)1992 565335

Clarke® INTERNATIONAL Hemnall Street, Epping, Essex CM16 4LG
www.clarkeinternational.com